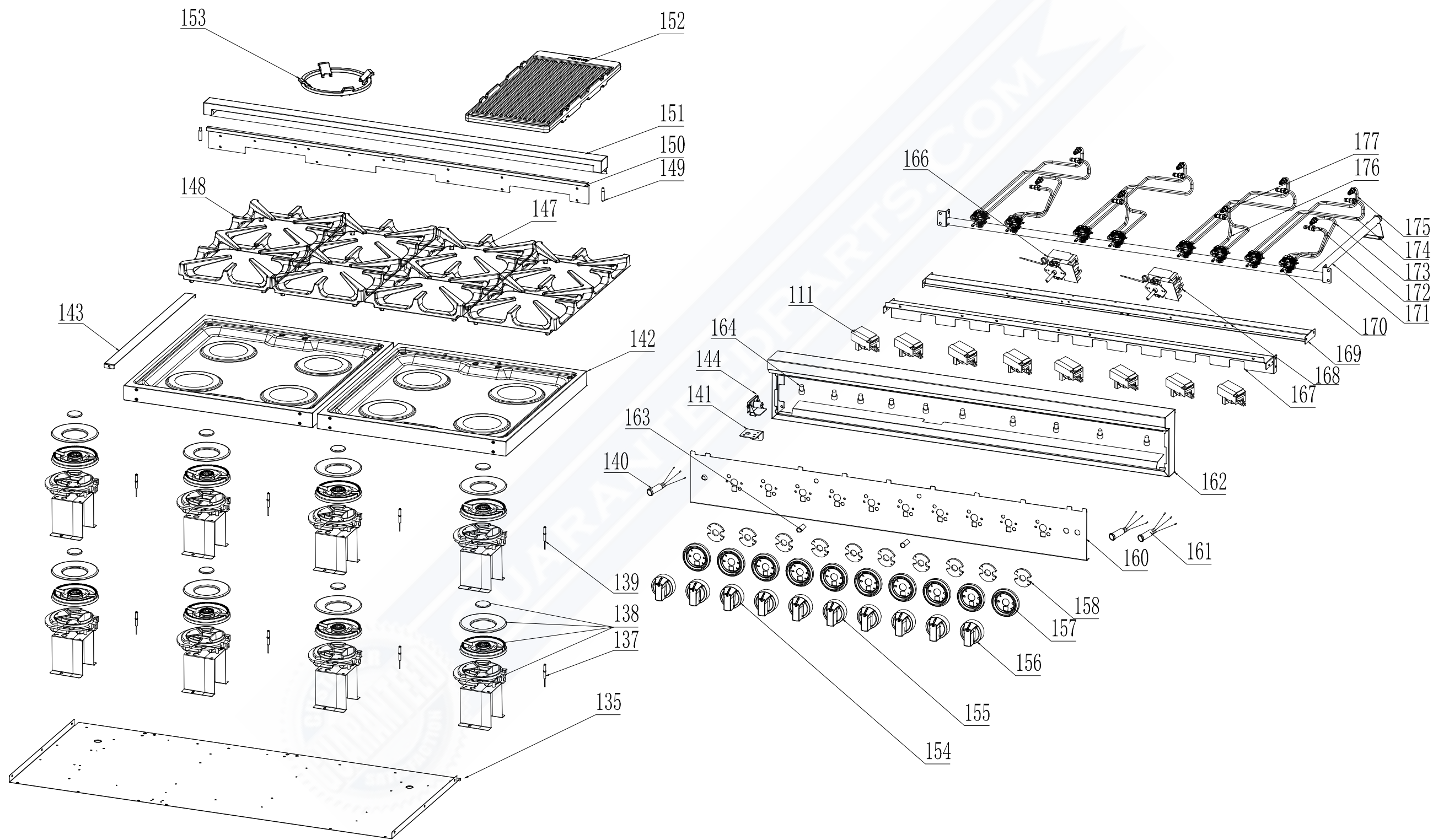
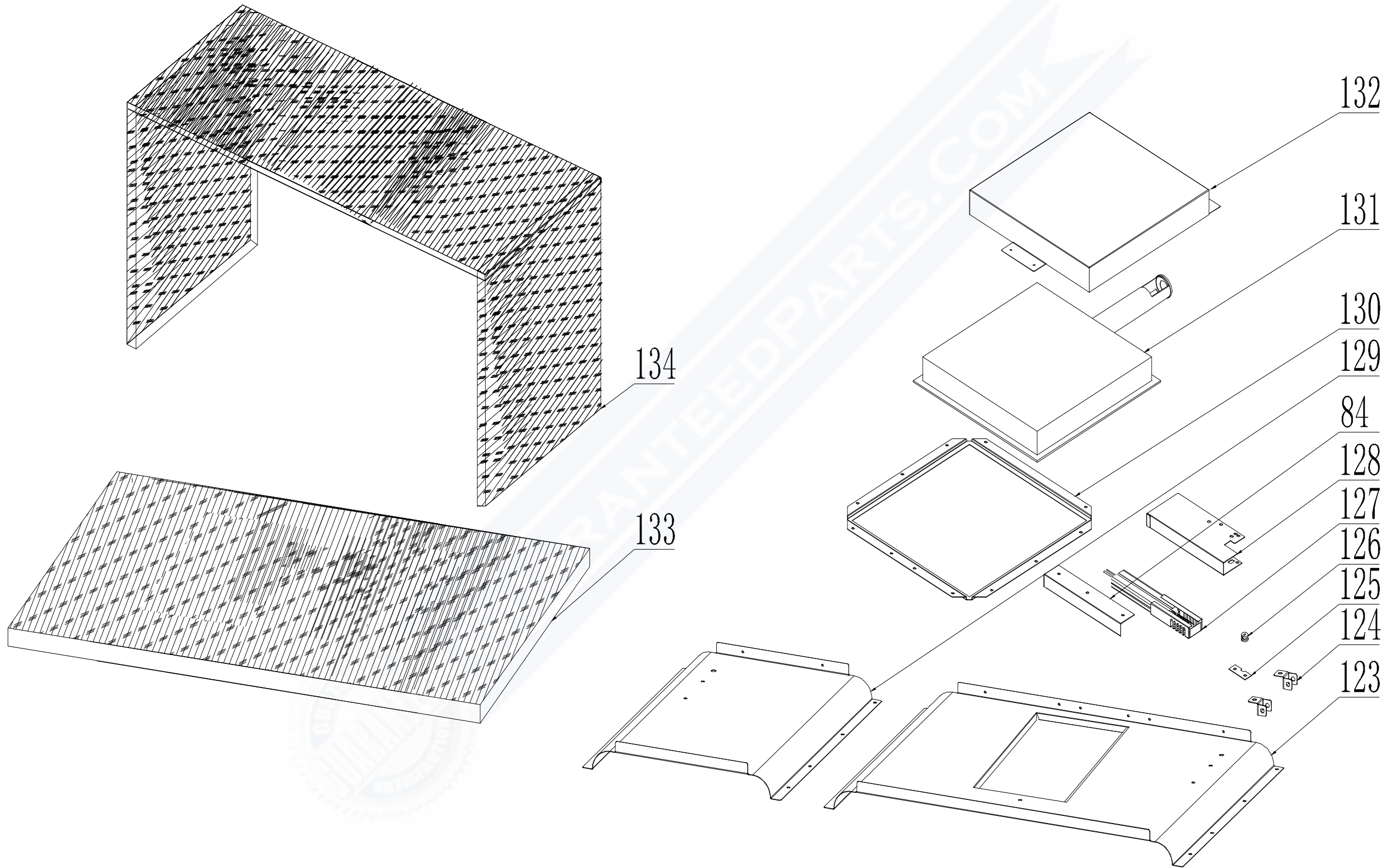


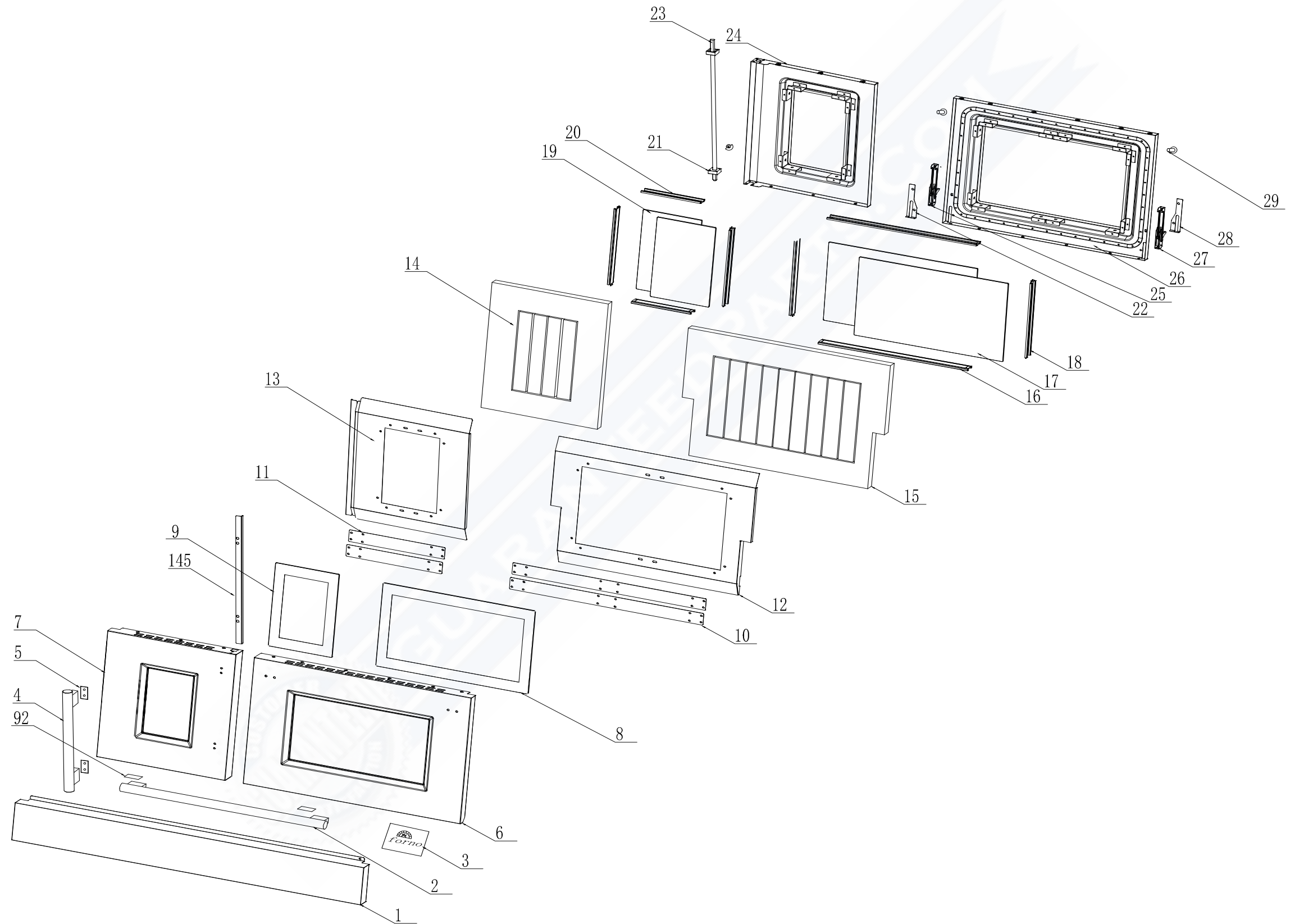
cooktop



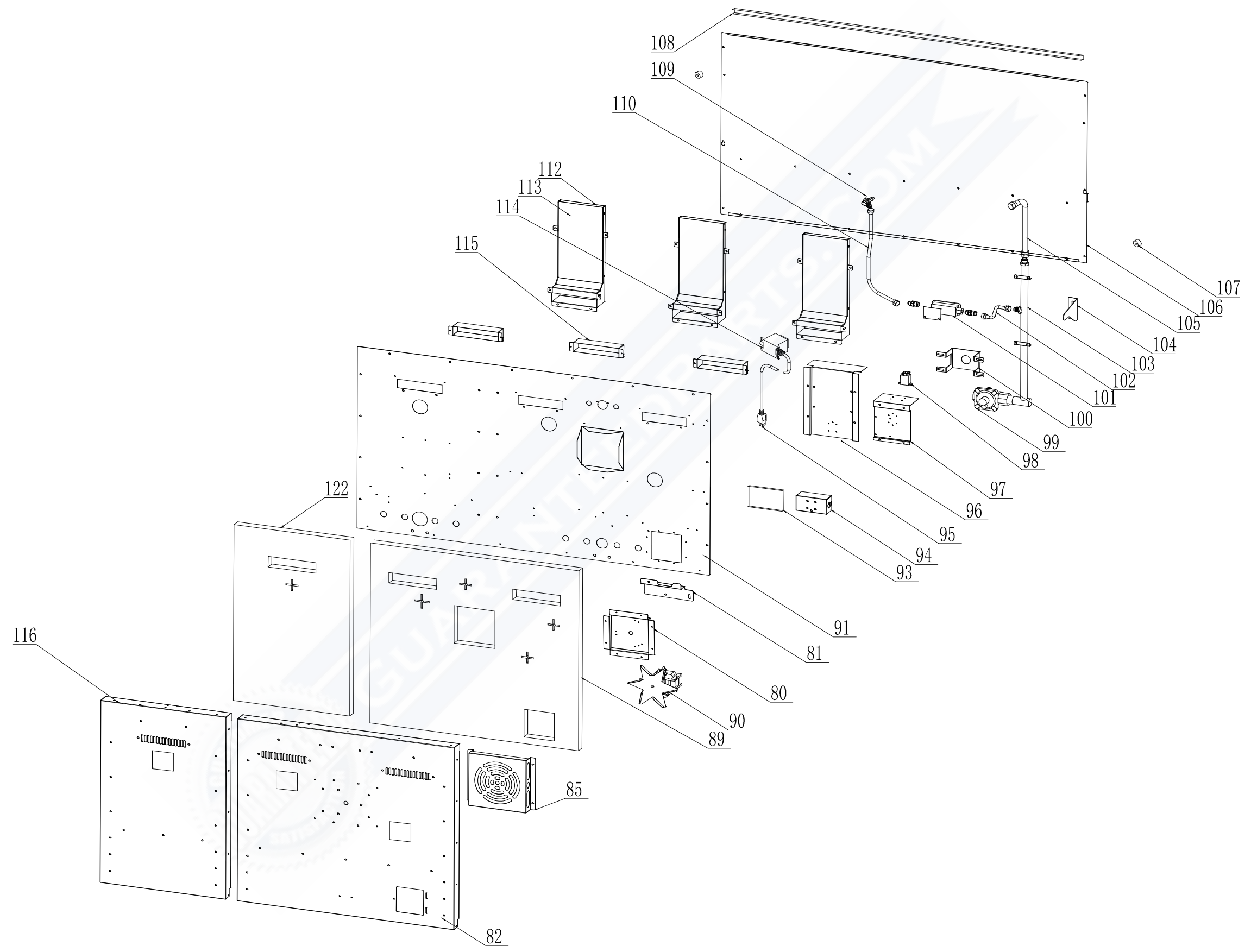
cavity top



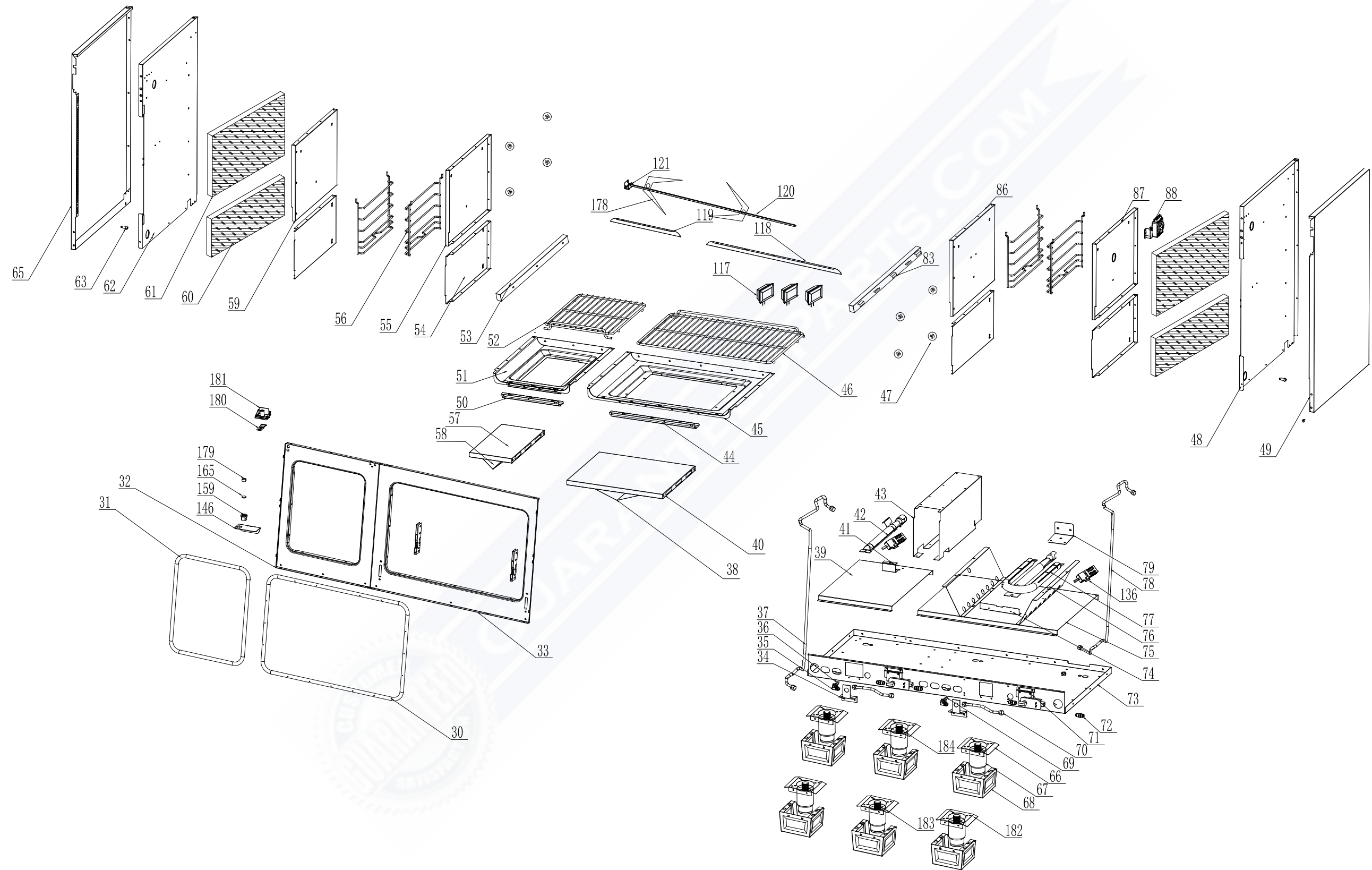
door



cavity back



oven cavity



FFSGS6460-36

No.	Material Name	Materical Code	Qty.
1	Drawer panel G48R44	G48R44-120100-Z	1
2	Handle G30R04	G30R04-101900	1
3	metal logo FFSGS6244-36	G36R03-020010	1
4	Handle left G18R43	G18R43-101900	1
5	handle rubber mat G18R43	G18R43-100700	2
6	door outside plate G48R03	G48R03-100401	1
7	door outside plate G18R43	G18R43-100401	1
8	door outer glass G30R03	G30R03-101100	1
9	door outer glass G18R03	G18R03-101100	1
10	door outer glass black pressing plate G30R03	G30R03-101400-02	2
11	door outer glass black pressing plate G18R03	G18R03-101400-02	2
12	door insulation plate G30X03	G30X03-101401	1
13	door insulation plate G18R43	G18R43-101400	1
14	glass wool for door G18R43	G18R43-103500	1
15	glass wool for door G30X03	G30X03-103500	1
16	up/down frame body for door inside glass	G30X03-101501	2
17	innder door glass G30R03	G30R03-100500	2
18	left/right frame body for door inside glass	G36X03-101601	4
19	innder door glass G18R03	G18R03-100500	2
20	up/down frame body for door inside glass	G18X03-101501	2
21	roast axis fixed mount G48R44	G48R44-002100	1
22	door strengthen part R G36X03	G36X03-101002	1
23	axis of rotation component	G18R43-110000-Z	1
24	door blue enameled component G18R43	G18R43-100601-Z	1
25	door hinge L G30R03	G30R03-110000	1
26	door blue enameled component G30R03	G30R03-100602-Z	1
27	door hinge R G30R03	G30R03-110010	1
28	door strengthen part L G36X03	G36X03-101003	1
29	Door rubber decoration cap		2
30	door seal bar G48R03	G48R03-071200	1
31	door seal bar G18R03	G18R03-071200	1
32	front plate component G18R43	G18R43-070100-Z	1
33	front plate G48R03	G48R03-070100	1
34	oven burner nozzle mount support G36X03	G36X03-090700	2
35	oven burner nozzle mount G36X03	G36X03-021101	3
36	grill burner nozzle NG 1.7 G48X04	G48X04-021203	1
37	5/8" corrugated pipe 1500mm G20C01	G20C01-215305	1
38	oven burner reflect board G30X03	G30X03-080900	1
39	drawer insulation plate G18X03	G18X03-072100	1
40	down tray G30R07	G30R07-210102	1
41	grill burner back fixed support G18X03	G18X03-080700	1
42	grill burner G18X03	G18X03-080100	1

43	oven U type burner downside plate G48X03	G48X03-070400	1
44	cavity down strengthen part G30X03	G30X03-070000	1
45	cavity down blue enameled plate G30X03	G30X03-070704-Z	1
46	baking rack-stainless steel G30R05	G30R05-071901	3
47	side rack protect cover G36X03	G36X03-073900	16
48	right outside plate inside component G36X03	G36X03-071104-Z	1
49	right outside plate X01 series G36X01	G36X01-071001	1
50	cavity down strengthen part G18X03	G18X03-070000	1
51	cavity down blue enameled plate G18X03	G18X03-070704-Z	1
52	baking rack-stainless steel G18R05	G18R05-071901	3
53	slide rail L X01 series G36X01	G36X01-120700	6
54	cavity downside plate G36X03	G36X03-070400	2
55	cavity top right side blue enameled plate G36X04	G36X04-070508	1
56	side rack-stainless steel G36X01	G36X01-073801	4
57	down tray G18R07	G18R07-210102	1
58	oven burner reflect board G18X03	G18X03-080900	1
59	cavity top left side blue enameled plate G36X04	G36X04-070509	1
60	glass wool for cavity down left down side G36X03	G36X03-073000	5
61	glass wool for cavity down left upper side G36X03	G36X03-073300	5
62	left outside plate inside component G48R43	G18R43-071100-Z	1
63	screw for anti-tip step G36X03	G36X03-111000	1
64			
65	left outside plate G48R44	G48R44-071000	1
66	back left/right foot fixed part	G48R04-071811	2
67	oven leg G36X03	G36X03-071500	6
68	leg cover	G36X01-071600	6
69	oven burner nozzle NG 2.20 G18X03	G18X03-021206	1
70	5/8" corrugated pipe 160mm G20C01	G20C01-215306	2
71	safety valve small support G36X03	G36X03-076500	2
72	safety valve gas inlet G36X03	G36X03-210500	6
73	bottom plate G48R43	G48R43-071800	1
74	U type burner downside support G36X03	G36X03-080600	1
75	drawer insulation plate G30X03	G30X03-072100	1
76	U type burner baffle plate G36X03	G36X03-200800	2
77	oven U type burner G36X03	G36X03-080100	1
78	5/8" corrugated pipe 870mm G20C01	G20C01-215311	1
79	U type burner back support G36X03	G36X03-080700	1
80	fan motor baffle plate G36X03	G36X03-073100	1
81	fan motor down strengthen part G48X03	G48X03-803300	1
82	cavity blue enameled back plate-R04-2 G48R04	G48R04-070300	1
83	right slid rail X01 series G36X01	G36X01-120701	6
84	bottom plate G36R43	G36R43-031100	1
85	convection fan cover G48X04	G48X04-091701	1
86	cavity top left side blue enameled plate G36R04	G36R04-070501	1
87	cavity top right side blue enameled plate G36R04	G36R04-070500-Z	1

88	Rotisserie motor G20A01	G20A01-200101	1
89	glass wool for cavity back plate G30X04	G30X04-072900	1
90	fan motor-2 G36X03	G36X03-091500	1
91	cavity back insulation plate G48R07	G48R07-072201	1
92	handle rubber mat G36R03	G36R03-100700	2
93	power cord terminal cover G36X03	G36X03-031300	1
94	power cord terminal G36X03	G36X03-200200	1
95	power cord #13 G20A13	G20A13-160100	1
96	ignition support G36X03	G36X03-212300	1
97	safety valve big support G36X03	G36X03-076600	1
98	relay G36X03	G36X03-190200	1
99	Regulator G48X03	G48X03-034000	1
100	pressure adjustable valve fixed support G48X03	G48X03-034500	1
101	safety valve G36X03	G36X03-035000-1	3
102	5/8" corrugated pipe 300mm G20C01	G20C01-215302	1
103	cavity back main gas pipe G48X03	G48X03-030801	1
104	anti-tip support G36X01	G36X01-212501	1
105	3/4" corrugated pipe 170mm G36X03	G36X03-215300	1
106	baffle plate G48R43	G48X03-072001	1
107	anti-wall rubber mat G36X03	G36X03-212600	2
108	baffle plate strengthen part G48X03	G48X03-072300	1
109	nozzle 1.80 G48X04	G48X04-021207	1
110	5/8" corrugated pipe 450mm G20C01	G20C01-215308	1
111	Ignition G36R03	G36R03-170101	8
112	chimney outer plate G36R03	G36R03-074200	3
113	chimney inside plate G36R03	G36R03-074100	3
114	LED light transformer G36R04	G36R04-180305	1
115	smoke outlet component G36X03	G36X03-075000-Z	3
116	cavity blue enameled back plate-R04 G18R04	G18R04-070300	1
117	oven lamp-square shape G36X04	G36X04-180100	3
118	front panel strip G30X03	G30X03-214500	1
119	front panel strip G18X03	G18X03-214500	1
120	rotisserie rod 618mm rotisserie fork G36R03	G36R03-200501	1
121	roasted axis support G20A01	G20A01-200700	1
122	glass wool for cavity back plate G18X03	G18X03-072900	1
123	cavity top plate component-X04 G30X04	G30X04-070600-Z	1
124	thermo-sensor fixed part G36X03	G36X03-031100	4
125	orifice plate for infrared burner wire G36X04	G36X04-071700	1
126	Al. cover for infrared ignition plug wire G36X04	G36X04-073900	1
127	grill infrared ignition plug G36X04	G36X04-170300-1	1
128	grill infrared ignition plug fixed support G36X04	G36X04-090600	1
129	cavity top plate component-X04 G18X03	G18X03-070600-Z	1
130	infrered burner binder plate G36X04	G36X04-075000	1
131	grill infrared burner G36X04	G36X04-090100	1
132	grill infrared insulation cover G36X04	G36X04-071600	1

133	glass wool for cavity down plate G48X04	G48X04-036000	1
134	glass wool for cavity body G48X03	G48X03-070800	1
135	cavity insulation plate G48R03	G48R03-074500-Z	1
136	oven cavity spark plug G36X03	G36X03-170300-1	2
137	top burner spark plug 700 G36R04	G36R04-170501	4
138	20,000btu burner component-brass	G36R03-040300	8
		G36R03-040301	8
		G36R03-040302	8
		G36R03-040203	8
		G36R03-040204	8
139	top burner spark plug 400 G36R04	G36R04-170505	4
140	Round press button G36R45	G36R45-170200	1
141	rotated axis top support G48R43	G18R43-985600	1
142	Cooktop plate G24R04	G24R04-020100	2
143	cooktop plate decoration strip G48R04	G48R04-025000	1
144	Door lock component G48R43	G48R43-111001	1
145	Handle strengthen bar G36R43	G36R43-100700	1
146	rotated axis bottom support G48R43	G48R43-985600	1
147	cast iron grates G48R04	G48R04-021400	1
148	cast iron grates G36R04	G36R04-021400	3
149	backsplash bolt G36X03	G36X03-110800	2
150	cooktop back connection plate G48R04	G48R04-073600	1
151	backsplash board G48R04	G48R04-011500-Z	1
152	griddle G36R03	G36R03-021400	1
153	pan support G48R03	G48R03-021400	1
154	knob for thermostat 1to 1 G36R04	G36R04-030102	1
155	knob for thermostat 1to 2 G36R04	G36R04-030103	1
156	knob for double gas outlet G36R04	G36R04-030101	8
157	knob ring G36R04	G36R04-030200	10
158	knob shining PCB G36R04	G36R04-031000	10
159	adjustable base G36R43	G36R44-002100	1
160	control panel G48R44	G48R44-030300	1
161	Round press button G36R43	G36R43-170200	3
162	control panel body component G48R44	G48R44-032300-Z	1
163	red indicator G36X03	G36X03-031000-7	2
164	red LED light G36X04	G36X04-031000-7	10
165	rubber mat G36R43	G36R43-002300	1
166	digital thermostat KKXT-17-48 G48X03	G48X03-030900-1	1
167	cooktop front support G48R03	G48R03-022100	1
168	digital thermostat KKXT-18-48 G36X03	G36X03-030900-1	1
169	cooktop back support G48R04	G48R04-022000	1
170	Cooktop valve 0.68+0.27 C36R04	C36R04-030400	8
171	control panel main gas pipe G48R04	G48R04-030700	1
172	R/F main Al.pipe G36R03	G36R03-020500	2
173	R/F support Al.pipe G36R03	G36R03-020600	2

174	R/R main Al.pipe G48R04	G48R04-020600	4
175	R/R support Al.pipe G48R04	G48R04-020500	4
176	M/F main Al.pipe G36R04	G36R04-020400	2
177	M/F support Al.pipe G36R04	G36R04-020300	2
178	roisserie fork G20A01	G20A01-200601	2
179	roast axis coat G48R43	G48R43-002200	1
180	door lock baffle plate component G48R43	G18R43-003400-Z	1
181	Door lock component G48R43	G48R43-111000	1
182	front left/right foot fixed part	G48R04-071813	2
183	front middle foot fixed part	G48R04-071814	1
184	back middle foot fixed part	G48R04-071812	1
	#N/A	GC0282	
	#N/A	G48R44-180310	1
	#N/A	BZ-0000000913	4
	48" wires for LED knobs	G48R04-180303	1
	#N/A	G36X04-171000	1
	48" wires for LED light-R04	G48R04-180302	1
	#N/A	G18X03-036000	1
	#N/A	G30X03-036000	1
	convection fan insulation wool - DF	G36X03-072800	1
	straight fixed part for door outer glass	G36R03-101300	4
	L shape fixed part for door outer glass	G36R03-101200	8
	#N/A	G48X03-072400	1
	plastic wire hook	G36R03-160200	3
	#N/A	G48X03-803500	2
	#N/A		1
	#N/A	G36R45-180301	1
	#N/A	G36X03-232900	10
	#N/A	G36X03-232903	10
	#N/A	G36X03-232902	1
	LP 20,000BTU burner center nozzle 0.46	G20A01-021235	8
	LP 20,000BTU burner outer nozzle 0.9	G20A01-021203	16
	#N/A	G48X04-021206	1
	LP oven burner nozzle 1.39	G18X03-021207	1
	LP 18" oven burner nozzle 1.12	G48X04-021209	1
	cooktop front sub support	G36X03-022200	1
	#N/A	G48X03-022200	1
	bottom plate heat insulation cover	G36X01-091800	1
	#N/A	G36R03-231530	1
	#N/A	G36R03-231529	1
	#N/A	G36R03-231531	1
	#N/A	G48R03-212300	4
	#N/A	BZ-0000001606	16
	#N/A	G36X03-233000	2
	#N/A	G36R03-231535	1

	#N/A	BZ-0000000614	10
	#N/A	G20A07-160200	1
	#N/A	G20A01-BZ0003	1
	#N/A	G20A01-BZ0004	1
	#N/A	G20A01-BZ0008	1
	#N/A	G20A01-BZ0006	1
	#N/A	G20B01-230403	1
	#N/A	BZ-0000000607	16
	#N/A	BZ-0000000611	20
	#N/A	G20A01-BZ0009	1
	#N/A	G36R05-231531	1
	#N/A	G48R03-102000	1
	#N/A	G60R03-031200	6
	#N/A	G60R03-031201	2
	#N/A	G48R05-232720	1
	#N/A	G48X04-803000	1
	#N/A	G48R04-071816	6
	#N/A	G48R43-010800	1
	drawer fixed plate G30R45	G30R45-120200	2



GUARANTEED